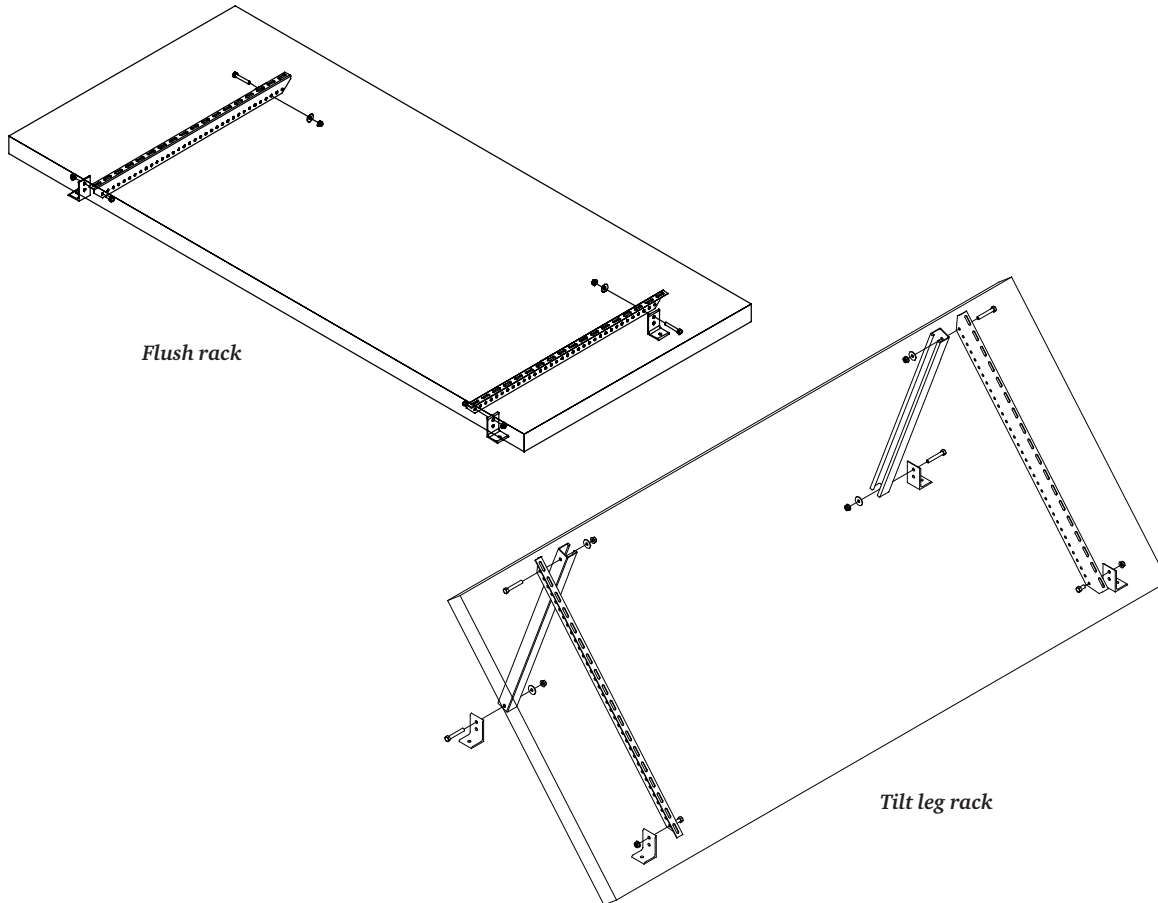


Ground/Roof Rack

Models 990001 thru 990008 and 990026 thru 990032

Installation Manual 903.2



Parts List

Part	Quantity		Wrench size
	Flush rack	Tilt leg rack	
Rail	2	2	
Leg strut		2	
L-feet	4	4	
Hex-head bolt, 5/16"	4	6	1/2"
Flange nut, 5/16"	4	6	1/2"
Module bolt, 1/4"	4	4	7/16"
Flange nut, 1/4"	4	4	7/16"

Caution

Stainless steel hardware can seize up, a process called galling. To significantly reduce the likelihood of galling, apply a small drop of anti-seize lubricant to the threads of all bolts before installation. Anti-seize lubricants are readily available in auto parts and hardware stores. In their absence, any lubricant will reduce chances of galling.



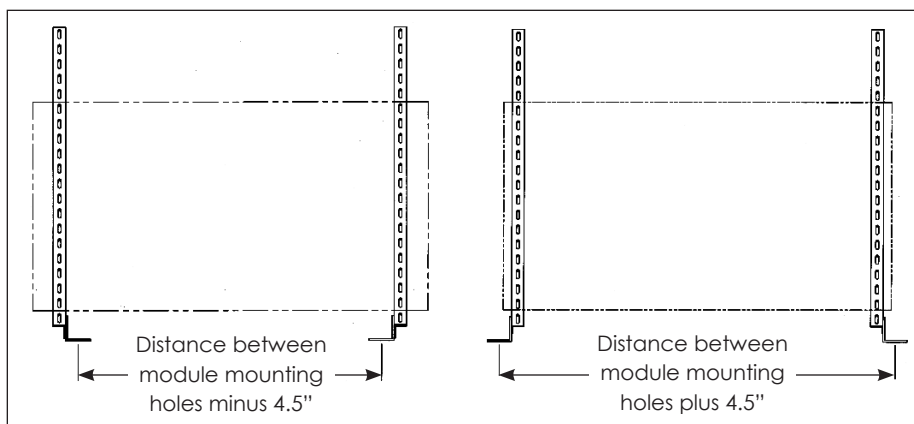
The installer is solely responsible for:

- Complying with all applicable local or national building codes, including any that may supersede this manual;
- Ensuring that UniRac and other products are appropriate for the particular installations and are designed for the installation environment;
- Using only UniRac parts and installer-supplied parts as specified by UniRac (substitution of parts will void the warranty);
- Ensuring safe installation of all electrical aspects of the PV array.

Assembly:

1. Assemble the ground/roof rack as shown in the appropriate drawing on page 1. The UniRac can easily be assembled in any order appropriate to the job site requirements.
2. Use ⁵/₁₆-inch hardware to assemble the rack and the ¹/₄-inch hardware to attach the PV module to the UniRac.

3. UniRacs must be securely attached to roof rafters, ground footings, or other secure structural features. Simply attaching the rack to roof decking is **not** adequate to withstand wind loads and may result in severe damage to the roof as well as the installation.
4. Leave as much space as possible at the bottom of the rack to minimize debris accumulation and snow load.
5. The drawings below show two options for setting the width of the mounting feet. If possible, mount a PV module to the rack to determine the proper distance between the mounting feet.
6. On tilt-leg racks, rack tilt angle can be adjusted by:
 - Raising or lowering the adjustable leg;
 - Moving the adjustable or fixed leg up or down along the rail; or
 - Adjusting the distance between the lower and upper mounting feet before final installation.



Locating mounting feet

10 year limited Product Warranty

UniRac, Inc., warrants to the original purchaser (“Purchaser”) of product(s) that it manufactures (“Product”) at the original installation site that the Product shall be free from defects in material and workmanship for a period of ten (10) years, from the earlier of 1) the date the installation of the Product is completed, or 2) 30 days after the purchase of the Product by the original Purchaser. This Warranty does not cover damage to the Product that occurs during its shipment, storage, or installation.

This Warranty shall be VOID if installation of the Product is not performed in accordance

with UniRac’s written installation instructions, or if the Product has been modified, repaired, or reworked in a manner not previously authorized by UniRac IN WRITING, or if the Product is installed in an environment for which it was not designed. UniRac shall not be liable for consequential, contingent or incidental damages arising out of the use of the Product by the Purchaser under any circumstances.

If within the specified Warranty period the Product shall be reasonably proven to be defective, then UniRac shall repair or replace the defective Product, or any part thereof,

in UniRac’s sole discretion. Such repair or replacement shall completely satisfy and discharge all of UniRac’s liability with respect to this limited Warranty. Under no circumstances shall UniRac be liable for special, indirect or consequential damages arising out of or related to use by Purchaser of the Product.

Manufacturers of related items, such as PV modules and flashings, may provide written warranties of their own. UniRac’s limited Warranty covers only its Product, and not any related items.