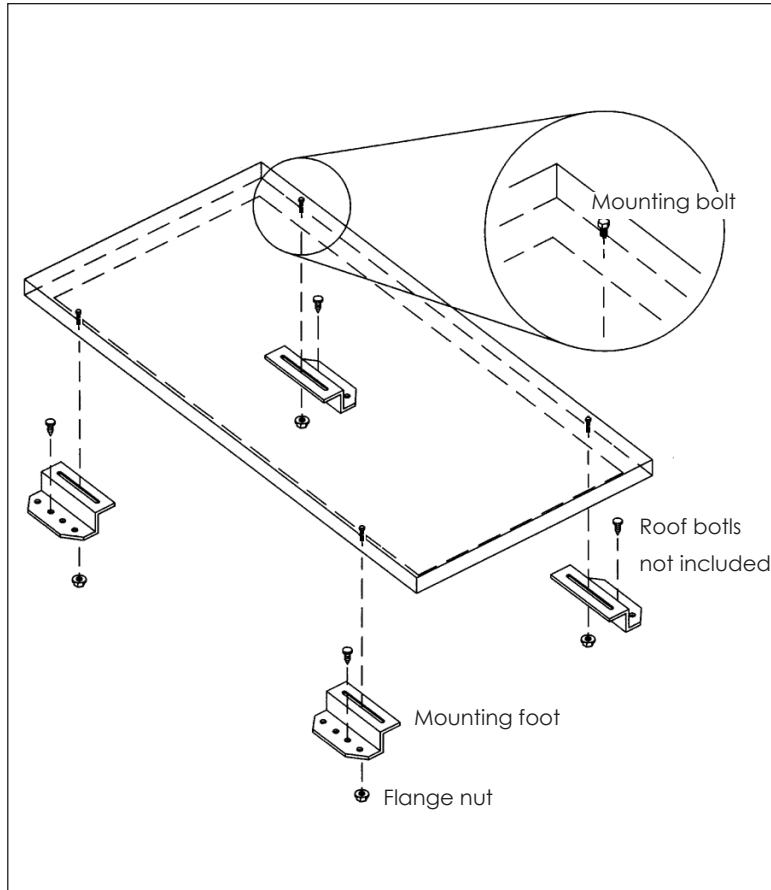


RV Flush Mounting Feet for PV Panels

Part 990009

Installation Manual 902.3



Thank you for purchasing a Unirac.

Attach the PV module to the slotted opening of each mounting foot using 1/4-inch hardware supplied. The module can be attached at any position along the slot.

Position the mounting feet for optimal fastening to the RV roof. The feet can be turned in any direction and can be fastened using any mounting hole. Securely tighten the PV module to the mounting feet.

Securely attach the feet to the RV roof (hardware not included; requirements depend on roof). Use silicone or other sealant on any roof penetration.

Caution

Stainless steel hardware can seize up, a process called galling. To significantly reduce the likelihood of galling, apply a small drop of anti-seize lubricant to the threads of all bolts before installation. Anti-seize lubricants are readily available in auto parts and hardware stores.

Parts List

Part	Qty.	Wrench size
Mounting foot	4	
Mounting bolt, 1/4"	4	7/16"
Flange nut, 1/4"	4	7/16"

